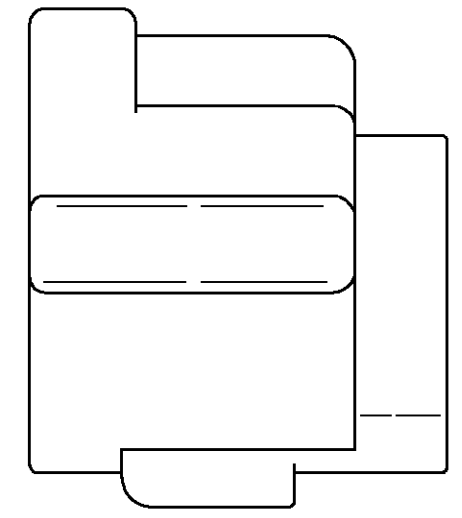
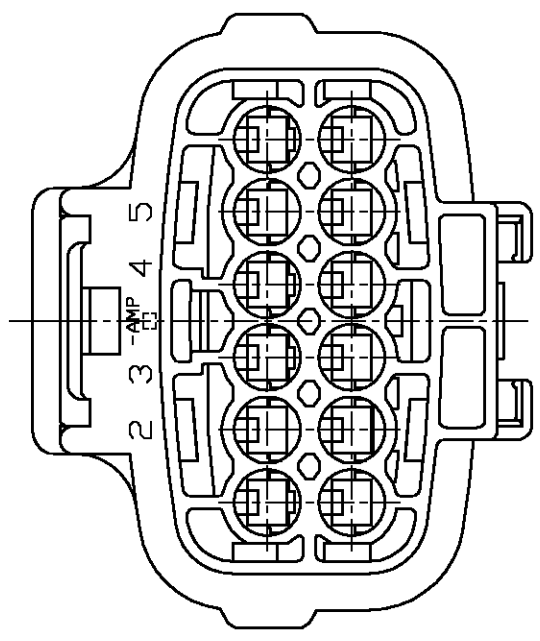
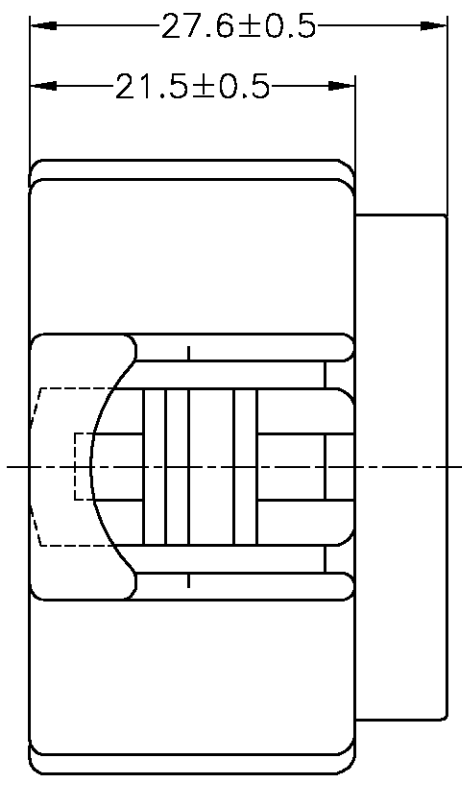
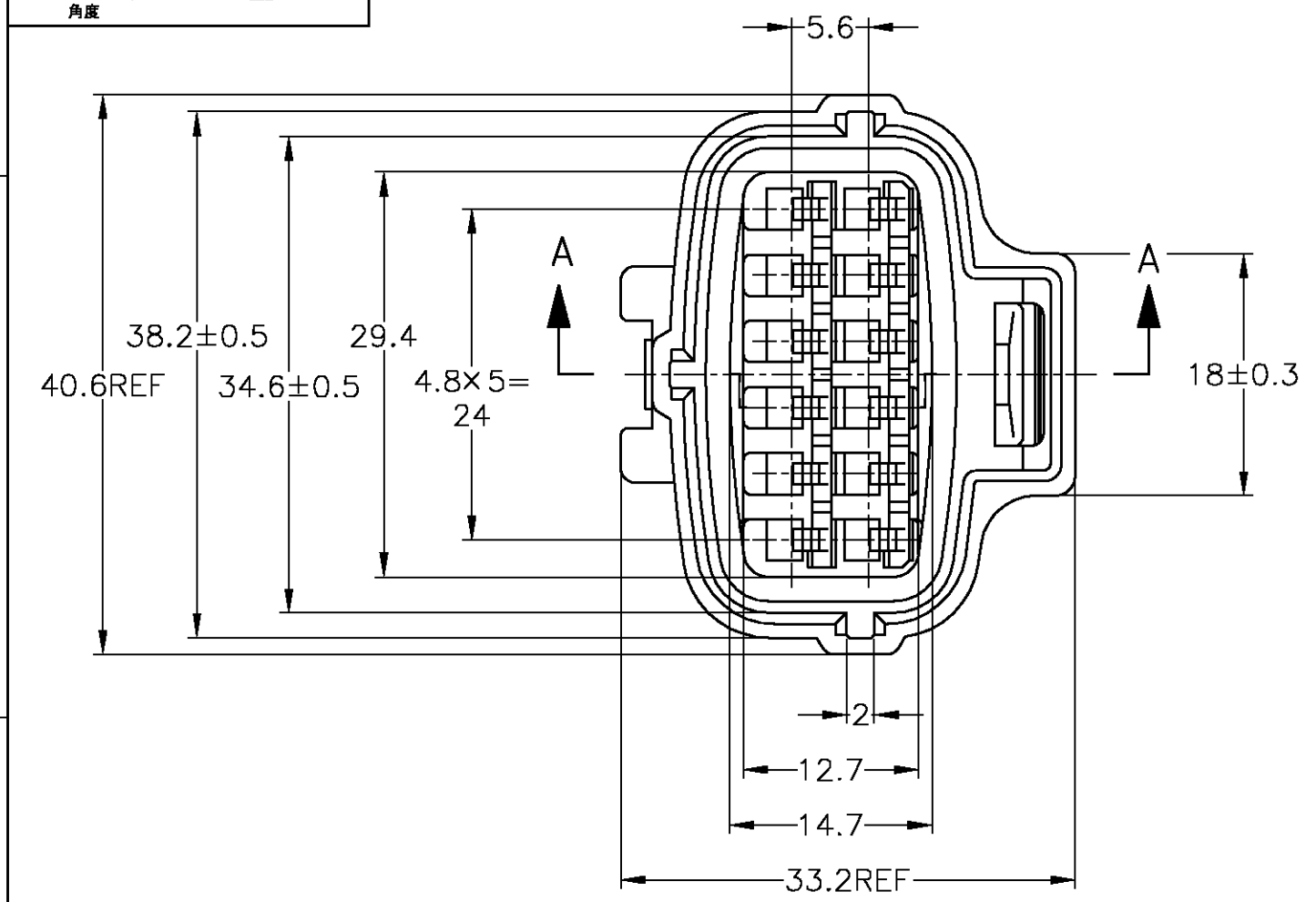


THIS DRAWING IS UNPUBLISHED. RELEASED FOR PUBLICATION
 © COPYRIGHT BY TYCO ELECTRONICS CORPORATION. ALL RIGHTS RESERVED.

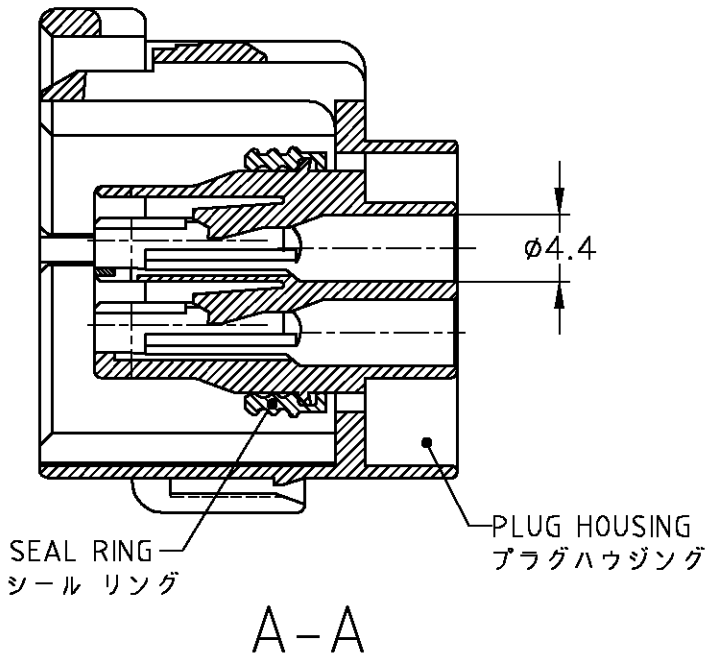
LOC	DIST	REVISIONS					
J	-	P	LTR	DESCRIPTION	DATE	DWN	APVD
		D2	REVISED	FJA0-0606-04	06SEP04	AY	KB

TOLERANCE UNLESS OTHERWISE SPECIFIED:
 一般公差
 0 < x ≤ 10 : ±0.2
 10 < x ≤ 30 : ±0.25
 30 < x ≤ 100 : ±0.3
 ANGLE : ±3°
 角度



- 1. 嵌合相手型番: 174663
- 2. 本品はプラグハウジング単体にシールリングがアッセンブリされたものである。
- 3. 本品はダブルロックプレート型番 174662を装着して使用する。

- 1. FOR CAP HOUSING PN 174663
- 2. THIS PART IS COMPOSED OF PLUG HOUSING AND SEAL RING
- 3. THIS PART MUST BE USED WITH DOUBLE LOCK PLATE PN 174662



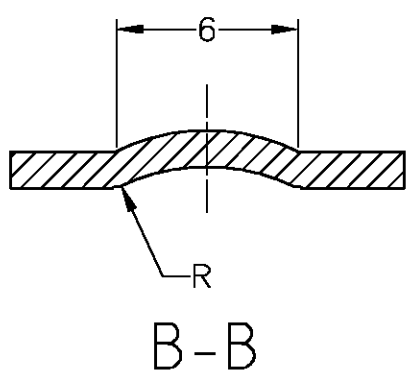
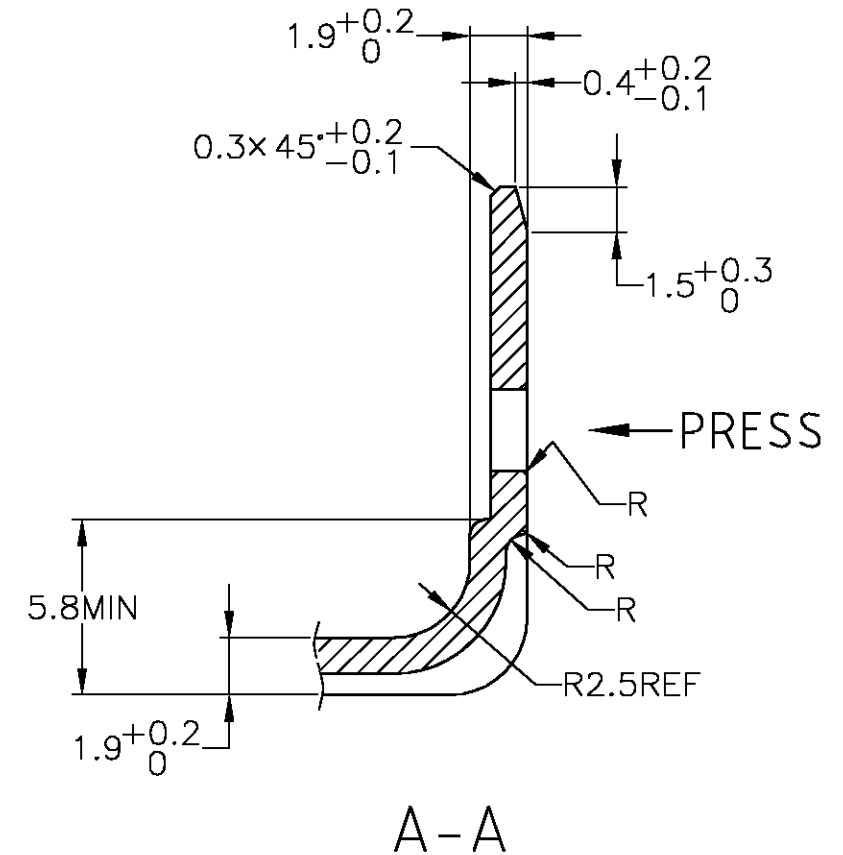
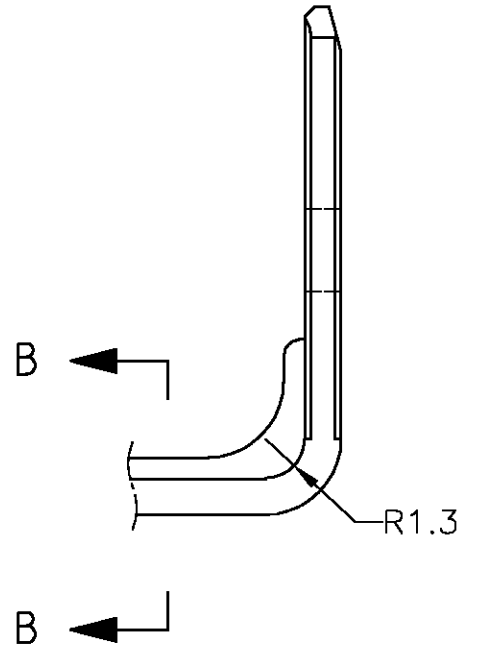
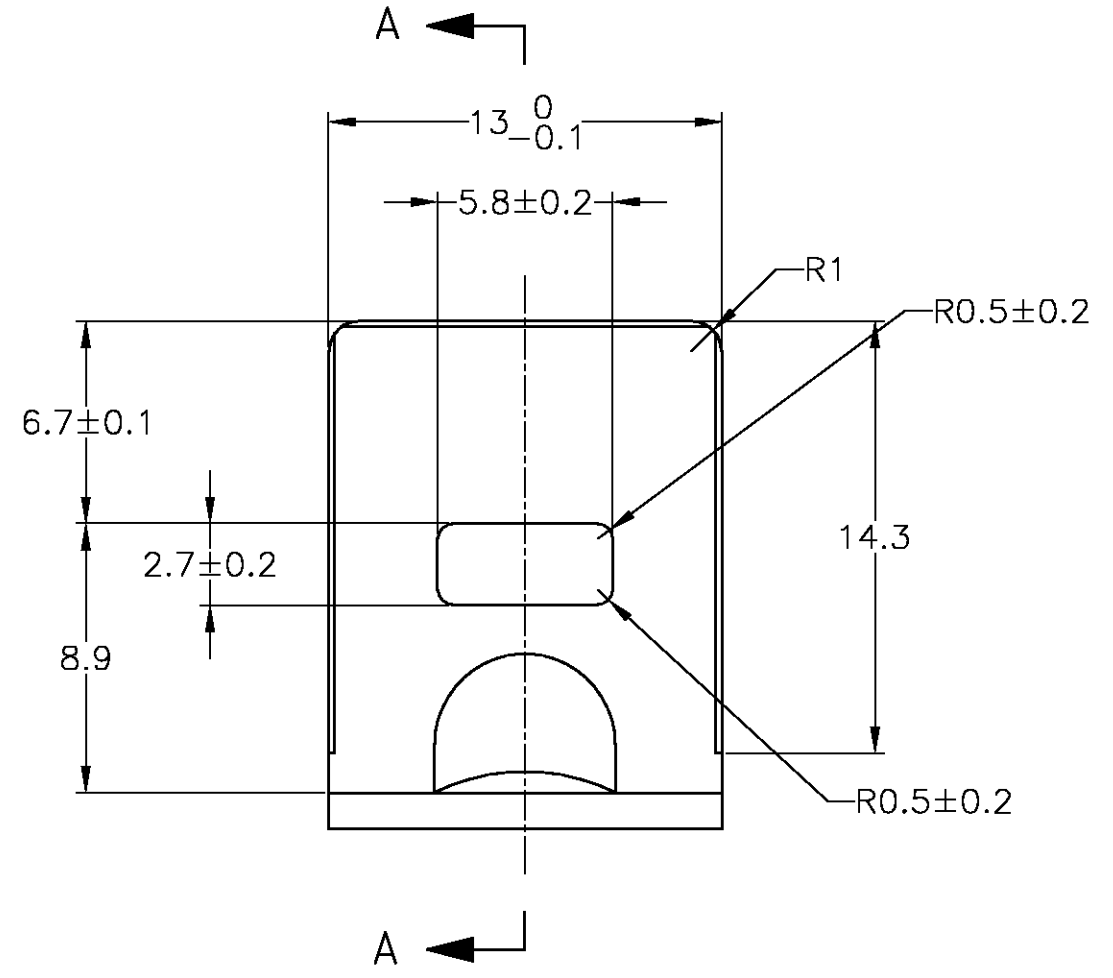
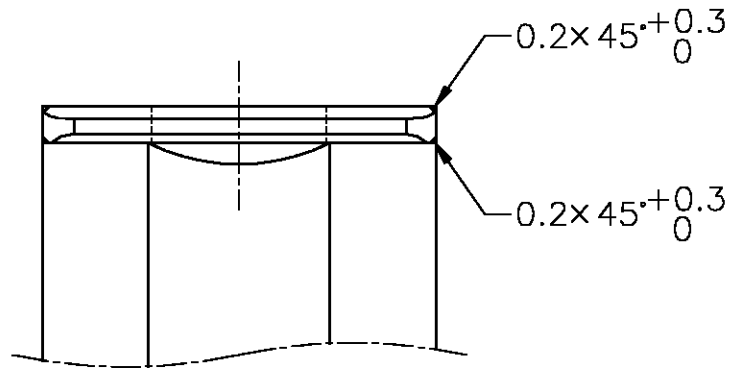
SILICON	黒 BLACK	1-174661-2
NBR	黒 BLACK	174661-2
シール剤 SEALING	色 COLOR	型番 PN

THIS DRAWING IS A CONTROLLED DOCUMENT.		DWN T.SHINOHARA	09FEB04	tyco Electronics	Tyco Electronics AMP K.K. Kawasaki, Japan		
DIMENSIONS: 単位: 耗 MM		CHK K.BETSUI	09FEB04		NAME 名称	12Pos. ECONOSEAL J-MARKII+ CONNECTOR PLUG HOUSING	
TOLERANCES UNLESS OTHERWISE SPECIFIED: 一般公差		APVD K.BETSUI	09FEB04	PRODUCT SPEC 製品規格	108-5262		
0 PLC ± -		APPLICATION SPEC 取付適用規格		SIZE	CAGE CODE	DRAWING NO 番号	RESTRICTED TO
1 PLC ± -		WEIGHT	13.5g	A3	00779	C-174661	-
2 PLC ± -		CUSTOMER DRAWING		SCALE 尺度	2:1	SHEET 1 OF 2	REV D2
3 PLC ± -							
4 PLC ± -							
ANGLES ± -							
FINISH 仕上							
MATERIAL 材料 PBT							

THIS DRAWING IS UNPUBLISHED. RELEASED FOR PUBLICATION
 © COPYRIGHT BY TYCO ELECTRONICS CORPORATION. ALL RIGHTS RESERVED.

LOC	DIST	REVISIONS					
J	—	P	LTR	DESCRIPTION	DATE	DWN	APVD
		—		SEE SHEET 1	—	—	—

ブラケット推奨寸法図
 RECOMMENDED DIMENSION OF BRACKET



t = 1.2 ± 0.08

TOLERANCE UNLESS OTHERWISE SPECIFIED: 一般公差

0 < x ≤ 10	: ±0.2
10 < x ≤ 30	: ±0.25
30 < x ≤ 100	: ±0.3
ANGLE ; 角度	: ±3°

THIS DRAWING IS A CONTROLLED DOCUMENT.		DWN T.SHINOHARA 09FEB04	Tyco Electronics AMP K.K. Kawasaki, Japan	
DIMENSIONS: 単位: 耗 MM		CHK K.BETSUI 09FEB04	NAME 名称 12Pos. ECONOSEAL J-MARKII+ CONNECTOR PLUG HOUSING	
TOLERANCES UNLESS OTHERWISE SPECIFIED: 一般公差		APVD K.BETSUI 09FEB04	SIZE A3 CAGE CODE 00779 DRAWING NO. 番号 C-174661 RESTRICTED TO	
0 PLC ±- 1 PLC ±- 2 PLC ±- 3 PLC ±- 4 PLC ±- ANGLES ±-		PRODUCT SPEC 製品規格	SCALE 尺度 4:1 SHEET 2 OF 2 REV D2	
MATERIAL 材料		APPLICATION SPEC 取付適用規格	CUSTOMER DRAWING	
FINISH 仕上		WEIGHT		